



- » Built to UL 508A standards
- » Rated for 120 to 480 volts
- » Small, low-profile and attractive with no exposed fasteners
- » Self-contained
- » Factory wired and tested before shipment

TESCOFLEX[®] low-profile, unmetered underground service distribution and control pedestals are used for a wide variety of municipal applications. The 23-000NR unmetered TESCOFLEX[®] low-profile pedestal provides power distribution rated for 120 to 480 volts; single phase or three phase applications; and 1, 2 or 3 pole main breakers.

TESCOFLEX[®] pedestals are constructed of the highest grade of materials using hot-dipped galvanized steel, stainless steel, or aluminum. Our coatings will withstand the most stringent testing applied to outdoor enclosures and meet or exceed state specifications. The wide range of options we can provide will allow for maximum utilization of your space.

Call us and see for yourself how Tesco Controls can make a difference on your next project.

Applications

- » Airport Beacon Systems
- » Athletic Field/Stadium Lighting
- » CATV Termination
- » Cellular
- » Flashing Beacon Controls
- » Landscape Irrigation
- » Parking Lot Lighting
- » Residential Applications
- » Sign Lighting
- » Street Lighting
- » Storm Water Lift Stations
- » Tennis Court Lighting & Control
- » Traffic Signals
- » Tunnel Lighting
- » Waste Water Lift Stations
- » Water Pumping Plants

Features

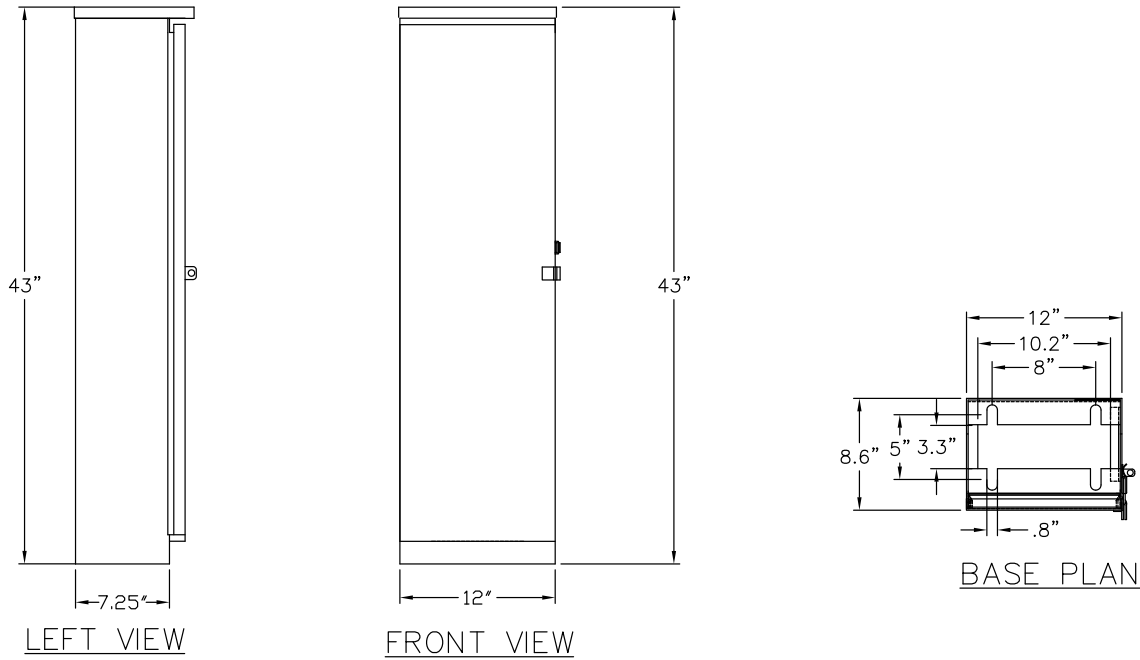
- » Low Profile
- » No exposed fasteners
- » Hot-dipped galvanized, aluminum or stainless steel
- » Durable all welded construction
- » UL approved copper cable bussing and control wiring
- » Circuit breakers cable-in cable-out type
- » Factory wired and tested before shipment
- » Built to UL 508A Standards
- » Pad-lockable 3-pt latch

Component Options

- » Breakers
- » Contactors
- » Switches
- » Relays
- » Photo cells
- » Time clocks
- » Time delays
- » Transformers
- » Motor controls
- » Fans
- » Heaters
- » Thermostats
- » Terminal blocks
- » Flasher controls
- » Receptacles
- » Generator Receptacles
- » Transfer Switches



Regional Offices



Specifications

- » Main breakers shall be 1, 2 or 3 pole
- » May be rated 120 volt up to 480 volt
- » Single or three phase
- » Continuous welded seams
- » Fully framed side hinged outer door for flush fit with top drip lip & closed cell neoprene flange compressed gaskets
- » Service enclosure interior is fabricated from cold rolled steel & powder coated white
- » Full length deadfront with stainless steel hinge and ¼ turn latch & knurled knobs
- » Deadfront hinged on same side as the front door and opens up to 120 degrees
- » Completely prewired in the factory
- » Wiring will be to NEMA IIB standards showing external connections & external equipment

Custom options are available. Contact Tesco Controls, Inc. for more information:

916-395-8800 | sales@tescocontrols.com | www.tescocontrols.com | 8440 Florin Road, Sacramento, CA 95828



© 2016 Tesco Controls, Inc. | TESCO® and TESCOFLEX® are registered trademarks of Tesco Controls, Inc. | DN: B-23-000NR_012116



TESCO
CONTROLS, INC.

100% Employee Owned